

FEATURED MODEL

157-089-CR BLANCOGREENBRIER™ with Integral Pull-out Handspray in Polished Chrome

ADDITIONAL MODELS

157-089-ST Stainless (Satin Nickel)

FEATURES

- Solid brass body
- Ceramic disc cartridge
- Color coded hot & cold supply lines
- Durable spiral flexible pullout spray hose
- Reversible mounting hardware adapts to thick or thin mounting surfaces
- 2.2 G.P.M. flow rate
- Installation in a 1-3/8" hole

CODE/STANDARDS COMPLIANCE

ASME A112.18.1-2005
 IAPMO Listed

WARRANTY

Blanco America's Kitchen faucets feature a "NO HASSLE" LIMITED LIFETIME WARRANTY to be free of all manufacturing defects under normal use. See our complete warranty for details.

While Blanco America endeavors to provide accurate information, all dimensions are nominal, cannot be guaranteed, and are subject to change or cancellation. Blanco America assumes no responsibility for use of superseded or voided specifications.

PRODUCT SPECIFICATION

Kitchen faucet to include decorative lever handle, integral pull-out handspray, solid brass body and ceramic disc cartridge. Faucet dimensions to be as follows: Reach: 9-1/2"; Spout Height: 6-3/4". Hot and cold supply lines to be color coded. Reversible mounting hardware to adapt to thick or thin mounting surfaces. Kitchen faucet to be BLANCOGREENBRIER™, Model 157-089-____ in _____ finish.

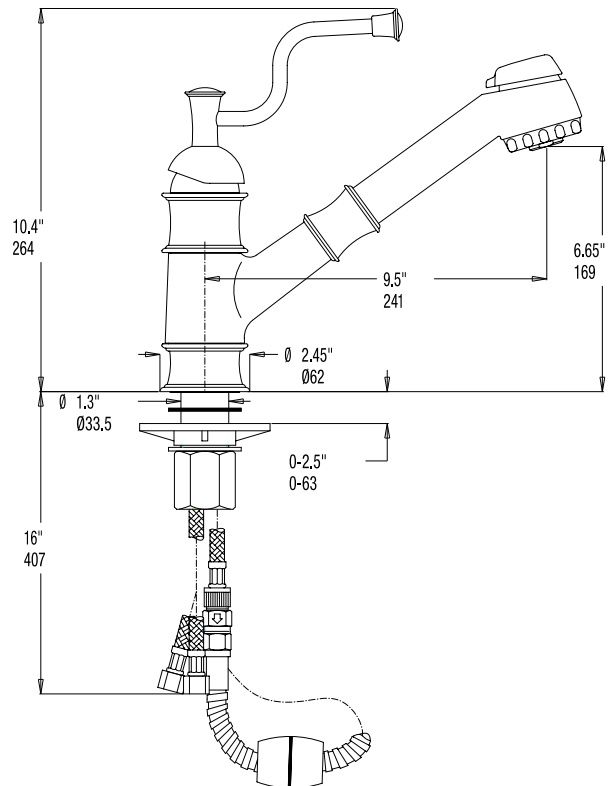
- Polished Chrome 157-089-CR
- Stainless (Satin Nickel) 157-089-ST



MODEL 157-089

NOMINAL DIMENSIONS

MODEL	REACH	SPOUT HEIGHT	FAUCET HEIGHT
157-089	9-1/2"	6-3/4"	10-7/16"



See next page for exploded parts drawing and parts list.

JOB INFORMATION

Job Name: _____

Contact: _____

Date Specified: _____

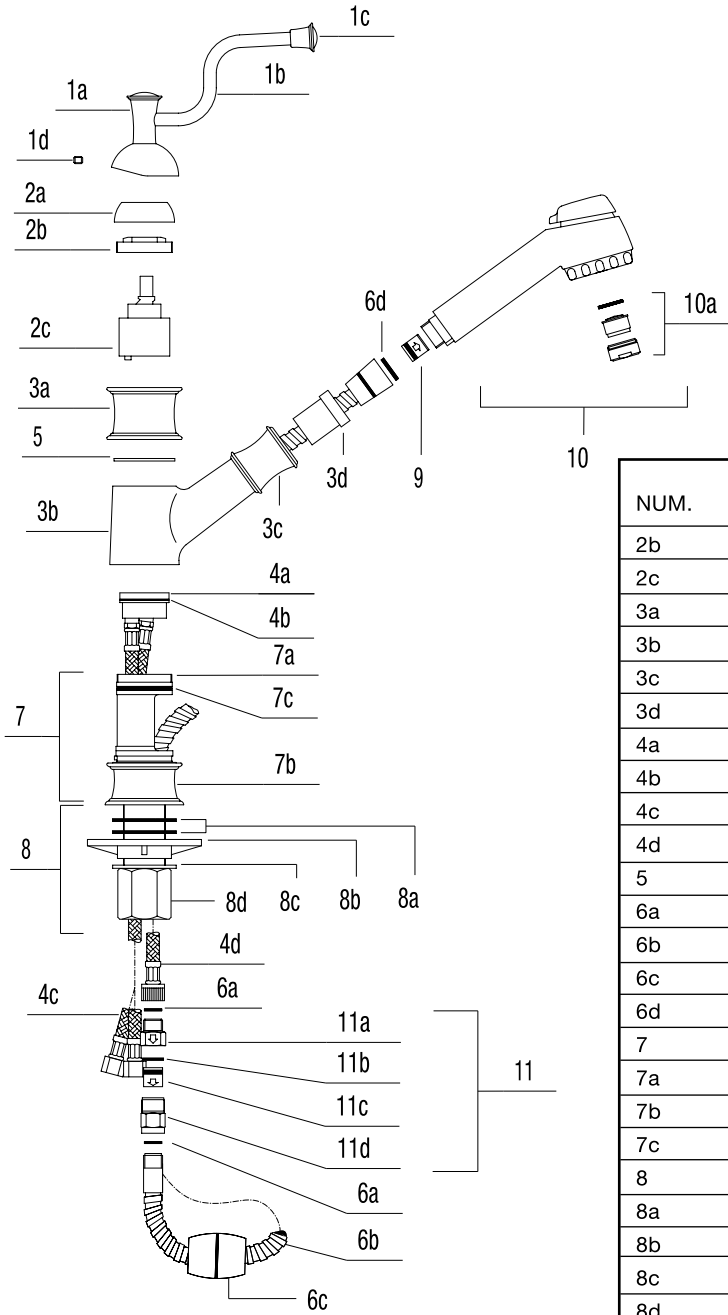
Specifier: _____

Contractor: _____

BLANCO AMERICA
800.451.5782
www.blancoamerica.com

BLANCOGREENBRIER™ With Pull-Out Spray

MODEL 157-089



NUM.	DOC. PART #	DESCRIPTION
2b	1304	NUT
2c	2408	CARTRIDGE
3a	3953	HOUSING
3b	3961	BODY
3c	3960	EXTENSION ROD
3d	1363	PLASTIC INSERT
4a	3399	INSERT
4b	1x32	O-RING
4c	2350	HOSE
4d	2360	SUPPLY TUBE
5	1306	TEFLON RING
6a	13.7x10x1.5	FIBER
6b	2266	HOSE
6c	2582	WEIGHT
6d	20x12x2.5	RUBBER WASHER
7	1-3964	INNER BODY ASSY
7a	3964	INNER BODY
7b	3962	BASE
7c	2.62x39.34	O-RING
8	1-2359	MOUNTING NUT ASSY
8a	48x34x2	RUBBER WASHER
8b	3109	PLASTIC BASE
8c	2258	METAL WASHER
8d	2359	NUT
9	2430	FLOW REGULATOR W/CHECK
10	1494	PULL-OUT SPRAY
10a	1-680	AERATOR SET
11	1-3115	CHECK VALVE ASSY
11a	3116	NIPPLE
11b	16.5x12x1.5	FIBER
11c	2419	CHECK VALVE
11d	3115	CHECK VALVE BODY

NUM.	DOC. PART #	DESCRIPTION
1a	3950	HANDLE BASE
1b	3955	STICK
1c	3956	KNOB
1d	2058	SCREW
2a	1303	CAP